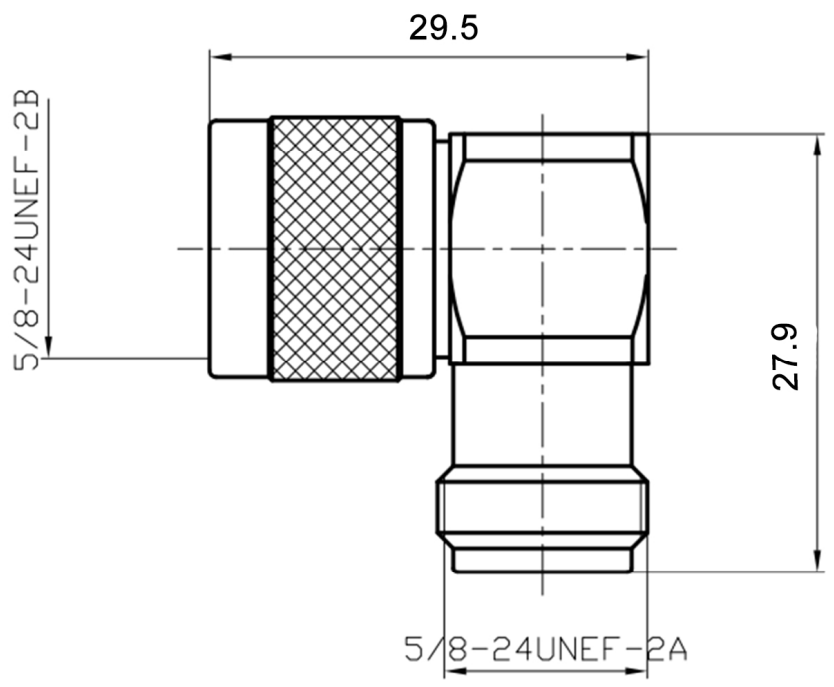


RevNo	Revision note	Date	Signature	Checked
00	Sketch Only	10/28/2019		



VSWR: ≤ 1.10 (DC - 3 GHz)

ALL DIMENSIONS ARE IN MILLIMETERS AND [INCHES] Unit:mm

RoHS Compliant.

UNLESS OTHERWISE NOTED ALL SURFACES FINISHED TO 64/MAX.		
ALL TOLERANCES ARE:		
DECIMALS	FRACTIONS	ANGLES
x \pm 1.0	$\pm 1/64$	x' \pm 1°
x.x \pm 0.5		x'x' \pm 0.5°
	x.xx \pm 0.1	

RayNool
Raynool Technology Co., Ltd.

THESE DRAWING & SPEC. ARE THE PROPERTY OF Raynool AND SHALL NOT BE REPRODUCED, OR COPIED OR USED AS THE BASIS FOR THE MANUFACTURE OR SALE OF APPARATUS OR DEVICES WITHOUT THEIR EXPRESS WRITTEN CONSENT.

Title			
N Male to N Female RA Adapter			
Drawn by	Ckd by	Appd by	Date
			03/02/2021
Scale	Sheet 1 of 1		

4

3

2

1

4

3

1

A	B	C	D	E	F
---	---	---	---	---	---