

# Westell® VHF - 960MHz Power Tappers

Low PIM

## General Information

Westell Power Tappers are an important part of a distributed antenna system by splitting power unequally. With tap values from 1/3rd to 1/1000th they allow even distribution of RF power throughout a DAS.

Westell's Public Safety Power Tappers support VHF/UHF/700/ 800 and 900 MHz frequencies with an operating range of 138 to 960 MHz. Features low insertion loss, small form factor and capable of handling 200 watts average power. Connector style is N-female.

## Product Highlights

- Covers all Public Safety and Private Mobile Bands
- Low Insertion Loss
- Low VSWR
- Low Passive IM3
- 200 Watts Average Power
- IP65 Compliant
- Product Finish: Red for easy identification

## Frequency Range

- 138-960 MHz

## Applications

- Indoor & Outdoor
- Indoor DAS RF Power Distribution

## Ordering Information

Part Number	Description
CV05-522-614	3dB Power Tapper, 200 W, N(f) Connectors, 138-960 MHz
CV05-523-614	5dB Power Tapper, 200 W, N(f) Connectors, 138-960 MHz
CV05-524-614	6dB Power Tapper, 200 W, N(f) Connectors, 138-960 MHz
CV05-526-614	8dB Power Tapper, 200 W, N(f) Connectors, 138-960 MHz
CV05-527-614	10dB Power Tapper, 200 W, N(f) Connectors, 138-960 MHz
CV05-528-614	13dB Power Tapper, 200 W, N(f) Connectors, 138-960 MHz
CV05-529-614	15dB Power Tapper, 200 W, N(f) Connectors, 138-960 MHz
CV05-530-614	20dB Power Tapper, 200 W, N(f) Connectors, 138-960 MHz
CV05-531-614	30dB Power Tapper, 200 W, N(f) Connectors, 138-960 MHz

\* Includes mounting hardware

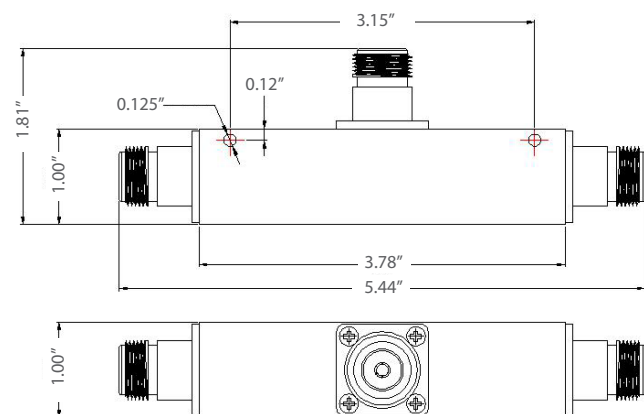


138-960MHz, 200W, N-F, IP65

## Tapper Specifications

Freq (MHz)	138-960
Impedance	50 ohm
IP Grade	IP65 (Waterproof)
Temperature Range	-35° C +75° C
Connector	N-female
PIM	<math>\leq -153\text{dBc}</math> @ 2 x 43dBm @ 700Mhz
Color	Red

## Mechanical Drawing (Dimensions in Inches)



# Westell® VHF - 960MHz Power Tappers

Low PIM



## Electrical Specifications

Part Number	Splitter ratio (through vs tap)	Insertion loss Through/Tap	Branch Flatness ref. to Input Level, incl Loss, dB	Input VSWR (max)	Average Power (W)	Humidity
CV05-522-614	2:1/3.0dB	-2.3/-4.8	-6.8±0.7@138-200MHz -5.8±0.6@200-250MHz -5.4±0.6@250-380MHz -5.1±0.6@380-520MHz -4.8±0.5@698-960MHz	1.4@138-380 1.35@380-960	200	5-95%
CV05-523-614	3:1/4.8dB	-1.8/-6.1	-7.8±0.7@138-200MHz -6.8±0.6@200-250MHz -6.4±0.6@250-380MHz -6.1±0.6@380-520MHz -6.1±0.5@698-960MHz	1.4@138-380 1.35@380-960	200	5-95%
CV05-524-614	4:1/6.0dB	-1.6/-7.0	-8.5±0.7@138-200MHz -8.0±0.6@200-250MHz -7.8±0.6@250-380MHz -7.5±0.6@380-520MHz -7.0±0.5@698-960MHz	1.4@138-380 1.35@380-960	200	5-95%
CV05-525-614	5:1/7.0dB	-1.35/-7.8	-10.0±0.7@138-200MHz -9.5±0.6@200-250MHz -9.0±0.6@250-380MHz -8.5±0.6@380-520MHz -7.8±0.5@698-960MHz	1.4@138-380 1.35@380-960	200	5-95%
CV05-526-614	6:1/8.0dB	-0.7/-8.5	-10.0±0.7@138-200MHz -9.5±0.6@200-250MHz -9.0±0.6@250-380MHz -8.5±0.6@380-520MHz -7.8±0.5@698-960MHz	1.4@138-380 1.35@380-960	200	5-95%
CV05-527-614	10:1/10dB	-0.9/-10.4	-11.5±0.8@138-200MHz -10.7±0.7@200-250MHz -10.3±0.7@250-380MHz -10.1±0.7@380-520MHz -9.9±0.5@698-960MHz	1.25@138-380 1.25@380-960	200	5-95%
CV05-528-614	20:1/13dB	-0.7/-13.0	-14.5±0.8@138-200MHz -13.6±0.8@200-250MHz -13.5±0.8@250-380MHz -13.2±0.8@380-520MHz -13.1±0.5@698-960MHz	1.25@138-380 1.25@380-960	200	5-95%
CV05-529-614	30:1/15dB	-0.5/-15.3	-16.5±0.8@138-200MHz -15.6±0.8@200-250MHz -15.5±0.8@250-380MHz -15.2±0.8@380-520MHz -15.4±0.5@698-960MHz	1.25@138-380 1.25@380-960	200	5-95%
CV05-530-614	100:1/20dB	-0.4/-20.1	20.7±1.0@138-200MHz 20.1±1.0@200-250MHz 20.0±1.0@250-380MHz 20.1±1.0@380-520MHz 20.1±0.8@698-960MHz	1.25@138-380 1.25@380-960	200	5-95%
CV05-531-614	1000:1/30dB	-0.3/-30.1	30.7±1.0@138-200MHz 30.1±1.0@200-250MHz 30.1±1.0@250-380MHz 30.1±1.0@380-520MHz 30.1±0.8@698-960MHz	1.25@138-380 1.25@380-960	200	5-95%

