

Wideband Tapper

CO-FSxxNI

Low PIM (-161dBc), 340-5850MHz, N-Female, 300W

- Wideband design covering 340-5850MHz
 - Public Safety Band (UHF, 700/800), CBRS and LTE-U/LTE-LAA
- Available in 5, 6, 7, 8, 10, 13, 15 & 20dB values
- Suitable for indoor/outdoor environment
- High reliability and low insertion loss



Electrical Specification

Product Model	CO-FS05NI	CO-FS06NI	CO-FS07NI	CO-FS08NI	CO-FS10NI	CO-FS13NI	CO-FS15NI	CO-FS20NI
Frequency (MHz)	340-520/ 550-960/1695-2700/3450-4500/4900-5850							
Coupling Coefficient (dB)	5.0	6.0	7.0	8.0	10.0	13.0	15.0	20.0
Coupling Tolerance (dB)								
@340-520/550-960MHz	-5.6 ± 1.0	-6.4 ± 1.0	-7.5 ± 1.0	-8.4 ± 1.0	-10.5 ± 1.0	-13.5 ± 1.0	-15.5 ± 1.0	-19.8 ± 1.0
@1695-2700MHz	-5.3 ± 1.0	-6.3 ± 1.0	-7.3 ± 1.0	-8.1 ± 1.0	-10.4 ± 1.0	-13.4 ± 1.0	-15.5 ± 1.0	-19.8 ± 1.0
@3450-4500MHz	-5.6 ± 1.2	-6.4 ± 1.2	-7.4 ± 1.2	-8.4 ± 1.3	-10.4 ± 1.3	-13.4 ± 1.3	-15.5 ± 1.3	-19.5 ± 1.3
@4900-5850MHz	-5.6 ± 1.2	-6.4 ± 1.2	-7.2 ± 1.2	-8.2 ± 1.3	-10.4 ± 1.3	-13.4 ± 1.3	-15.5 ± 1.3	-19.5 ± 1.3
Coupled Loss. Typical (dB)								
@340-520/550-960MHz	1.4	1.1	0.9	0.7	0.4	0.2	0.1	0.1
@1695-2700MHz	1.7	1.5	1.0	0.8	0.5	0.3	0.2	0.2
@3450-4500MHz	1.3	1.5	1.1	0.9	0.7	0.4	0.2	0.2
@4900-5850MHz	1.6	1.5	1.3	1.0	0.7	0.5	0.3	0.2
VSWR @ input port	≤ 1.40	≤ 1.35	≤ 1.35	≤ 1.35	≤ 1.25	≤ 1.30	≤ 1.25	≤ 1.25
PIM (dBc)	≤ -161 @ 2 x 43dBm							
Average Power, max (W)	300							
Peak Power, max (W)	3000							
Impedance (ohm)	50							

Mechanical Specification

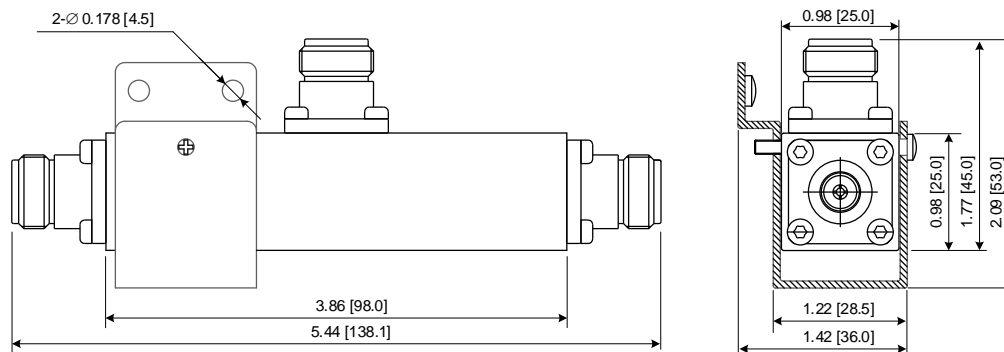
Dimension (in/mm)	3.86x0.98x0.98 / 98.0x25.0x25.0
Weight (lb./kg)	0.64 / 0.29
Shipping Dimension(in/mm)	7.09x3.54x1.58 / 180.0x90.0x40.0
Shipping Weight(lb./kg)	0.77 / 0.35
Connector	N-Female

Environment & Compliance

Application	Indoor / Outdoor
Operating Temperature	-35°C to +85°C
Environment	IP65
Relative Humidity	Up to 95%
RoHS	Compliant

Outline Drawing

Unit: inches [mm]



CO-FSxxNI